



W005M THRU W10M

SINGLE PHASE 1.5 AMPS. SILICON BRIDGE RECTIFIERS



FEATURES

- * Ideal for printed circuit board
- * High Surge Current Capability
- * Reliable low cost construction technique results in inexpensive product

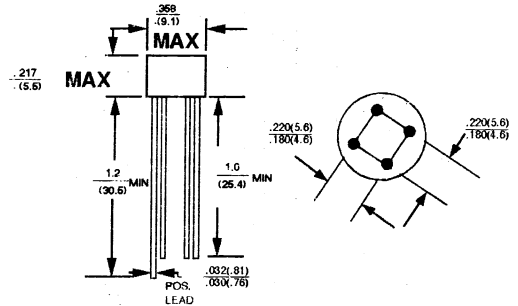
VOLTAGE RANGE

50 to 1000 Volts

CURRENT

1.5 Amperes

WOB



Dimensions in inches and (millimeters)

MAXIMUM RATINGS AND ELECTRICAL CHARACTERISTICS

Rating at 25°C ambient temperature unless otherwise specified.

Single phase, half wave, 60 Hz, resistive or inductive load.

For capacitive load, derate current by 20%

TYPE NUMBER	SYMBOLS	W005M	W01M	W02M	W04M	W06M	W08M	W10M	UNITS
Maximum Recurrent Peak Reverse Voltage	V_{RRM}	50	100	200	400	600	800	1000	V
Maximum RMS Bridge Input Voltage	V_{RMS}	35	70	140	280	420	560	700	V
Maximum D. C Blocking Voltage	V_{DC}	50	100	200	400	600	800	1000	V
Maximum Average Forward Rectified Current @ $T_A = 50^\circ\text{C}$	$I_{F(AV)}$	1.5							A
Peak Forward Surge Current, 8.3 ms single half sine-wave superimposed on rated load (JEDEC method)	I_{FSM}	30							A
Maximum Forward Voltage Drop per element @ 1.0A	V_F	1.10							V
Maximum Reverse Current at Rated @ $T_A = 25^\circ\text{C}$ D. C. Blocking Voltage per element @ $T_A = 100^\circ\text{C}$	I_R	10 500							μA μA
Operating Temperature Range	T_J	-55 to +125							$^\circ\text{C}$
Storage Temperature Range	T_{STG}	-55 to +150							$^\circ\text{C}$

RATINGS AND CHARACTERISTIC CURVES (W005M THRU W10M)

FIG. 1-MAXIMUM NON-REPETITIVE PEAK FORWARD SURGE CURRENT - PER ELEMENT

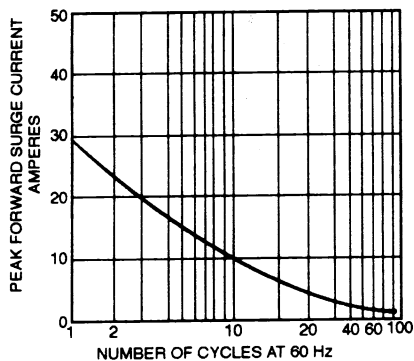


FIG. 2-TYPICAL FORWARD OUTPUT CURRENT DERATING CURVE

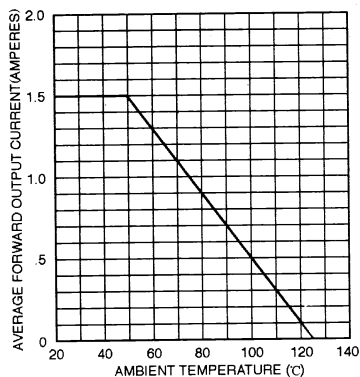


FIG. 3-TYPICAL FORWARD CHARACTERISTICS PER ELEMENT

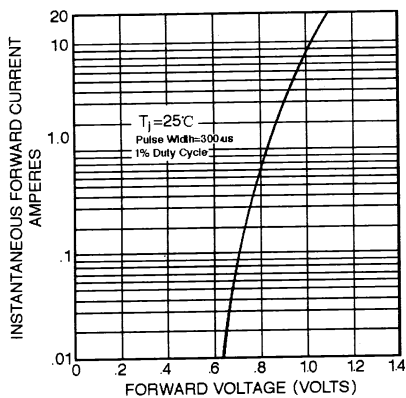


FIG. 4-TYPICAL REVERSE CHARACTERISTICS PER ELEMENT

